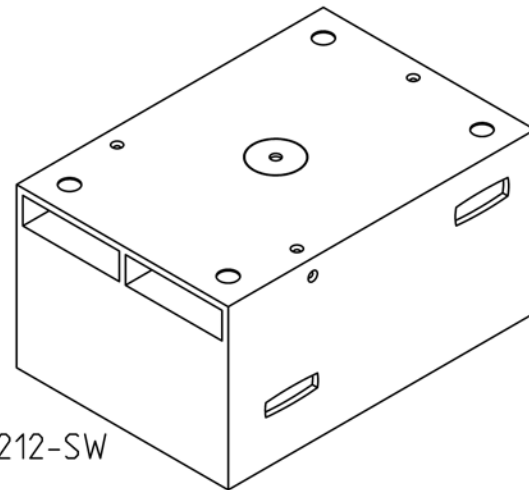
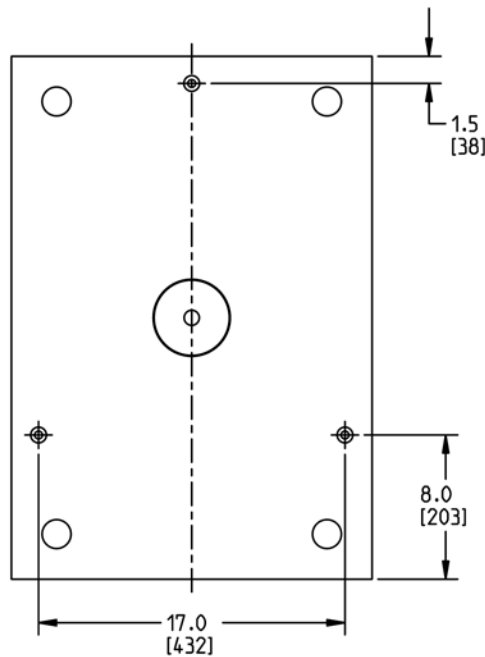


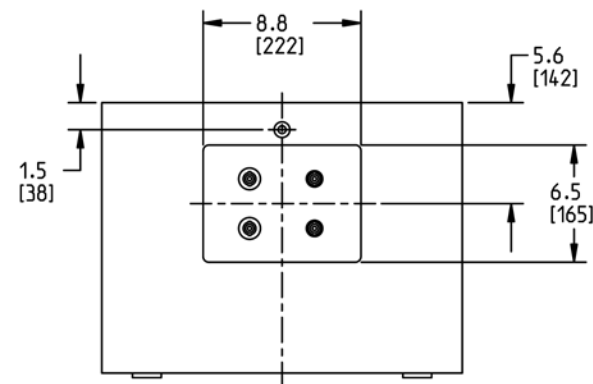
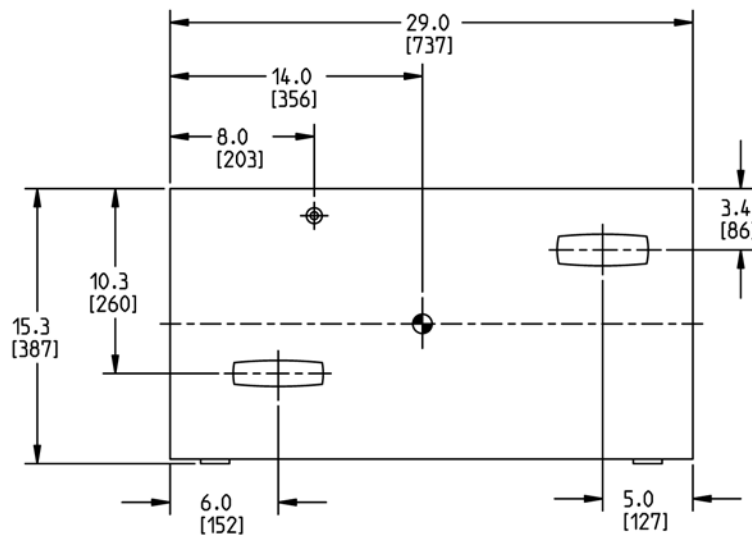
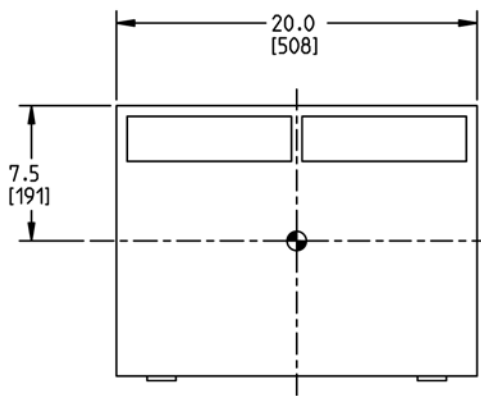
THIS DOCUMENT CONTAINS PROPRIETARY INFORMATION WHICH IS THE PROPERTY OF QSC AUDIO PRODUCTS. THAT MAY NOT BE DISCLOSED, REPRODUCED OR USED WITHOUT EXPRESS WRITTEN CONSENT FROM QSC AUDIO PRODUCTS.

REVISIONS					
REV	ECO	DESCRIPTION	BY	EFF DATE	ISSUED
1	-			-	

In Work



GP212-SW



5. PARTS ARE SYMMETRICAL ABOUT CENTER LINES UNLESS OTHERWISE NOTED.
  4. SYMBOL ⊕ INDICATES CENTER OF BALANCE.
  3. SYMBOL ⊙ INDICATES SUSPENSION POINT, 6 TOTAL: M10-1.5 THD.
  2. TOLERANCES (INCHES): .X ± .13, ANGLES: ± 1°.
  1. NET WEIGHT APPROX. 100 LBS (45.4 KG)
- NOTE: UNLESS OTHERWISE SPECIFIED

UNLESS OTHERWISE SPECIFIED DIMENSIONS IN INCHES (MM) TOLERANCES ARE: DECIMALS .XX±.02(.5) .XXX±.01(.25) ± 1/2 ANGLES .XXX±.01(.25) ± 1/2 DEBurr EDGES .010 (.25) R MAX	APPROVALS	DATE (DD-MMM-YY)	QSC AUDIO PRODUCTS, LLC 1675 MACARTHUR BOULEVARD COSTA MESA, CA 92626		
	DRAWN J. DELARM CHECKED - MFG ENG - QA CHECK -	13-MAY-11			
MATERIAL			SPEAKER, FINISHED, GP212-SW		
FINISH					
DRAWING INFO: FG-021201-2D.1.0		SIZE C	CAGE CODE OOPW 4	DRAWING NO. FG-021201-2D	REV 1
MODEL INFO: FG-021201-3D.1.0		SCALE: 0.188   DO NOT SCALE DRAWING			SHEET 1 OF 1